



Caterpillar 390DLME Excavator

Cat390D OCS-E&M-EXC-001 & Cat390D OCS-E&M-EXC-002

CAT 390DLME EXCAVATOR

OCS has the expertise, key personnel and equipment to provide single source, cost effective trenching and burial for marine pipelines. OCS owns all the key elements of the pre and post trenching equipment spread. The equipment can be mobilized at a relatively short notice onto an OCS barge or a third party barge provided by a customer

OCS owned CAT 390DLME Excavator is one of the OCS's new assets added to OCS's trenching equipment spread. OCS owned CAT 390DLME Excavator (OCS Id: Cat390D OCS-E&M-EXC-001 & Cat390D OCS-E&M-EXC-002) is a heavy construction unit which can be used for near shore trenching, material handling, driving piles and also demolition operations. The main intended use of this machine is for excavation work either onshore or offshore.

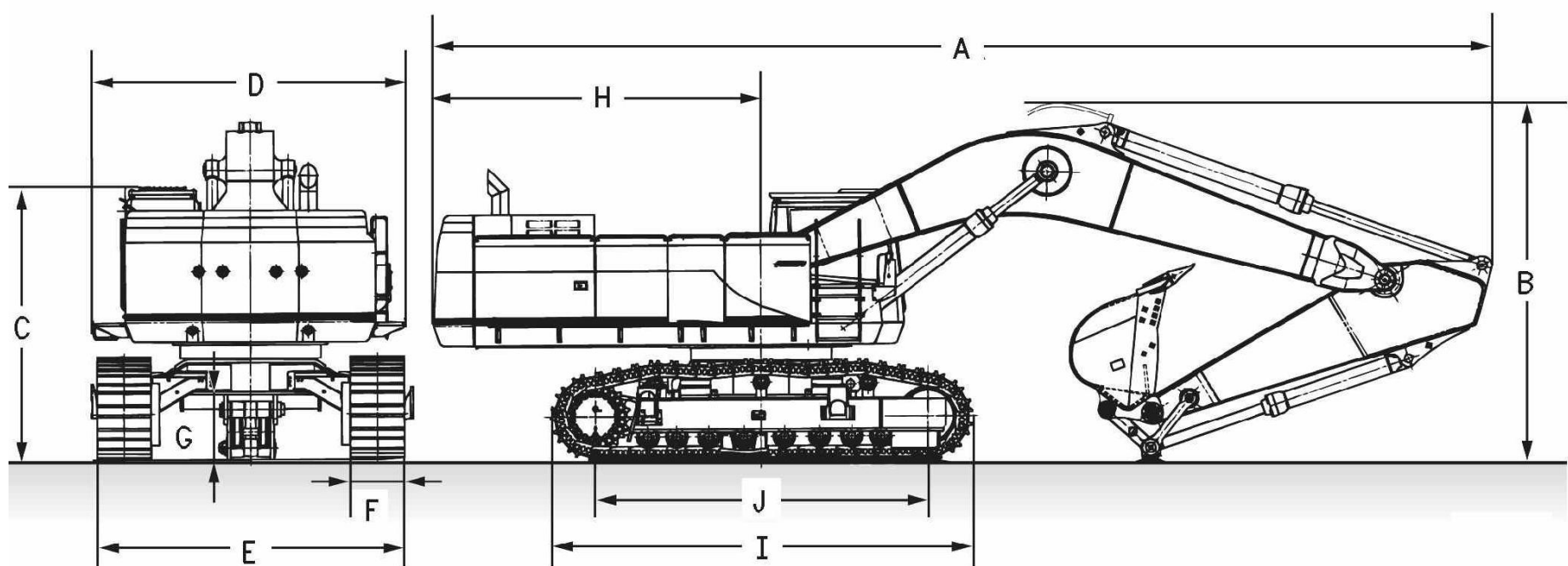
The OCS CAT 390DLME hydraulic excavator has an excellent control, high stick and bucket forces, impressive lifting capacities, simplified service and a comfortable air conditioned operator station.

The 201,194lb excavator is built in with a Caterpillar C18 ACERT diesel engine which has an advanced electronic control, precise fuel delivery and refined air management. The 5,080 HP engine allows full power at maximum revolutions per minute for efficient hydraulic pump operation and positive hydraulic response.

The OCS CAT 390DLME excavator is equipped with a 25m long arm package boom and stick. With this long arm, the excavator could reach up to 16m below and 19m above ground.

The OCS CAT 390DLME excavator should be operated with the undercarriage in a stationary position since the upper structure is normally capable of a 360 degree swing with mounted equipment. The undercarriage features redesigned links that operate with lower stress, forged idlers for durability and heavy track/carrier rollers

The specification data of the CAT390DLME Excavator is as follows:



390D L Excavator ⁽¹⁾	
Approximate Weight	91260 kg (201194 lb)
Overall Length (A)	13560 mm (44 ft 6 inch)
Boom Height (B)	5310 mm (17 ft 5 inch)
Height of Cab (C)	3760 mm (12 ft 4 inch)
Overall Width (D)	4510 mm (14 ft 10 inch)
Width of Track (E)	4260 mm (14 ft 0 inch)
Track Shoe Width (F)	750 mm (30 inch)
Ground Clearance (G)	900 mm (36 inch)
Swing Radius (H)	4680 mm (15 ft 4 inch)
Length of Track (I)	6360 mm (20 ft 11 inch)
Length to Center of Rollers(J)	5120 mm (16 ft 10 inch)

⁽¹⁾ These specifications are for machines that have a 7.25 m (23 ft 9 inch) mass boom, a 3.4 m (11 ft 2 inch) stick, a 6.0 m³ (7.9 yd³) bucket, a 12350 kg (27227 lb) counterweight, and a 10 percent full fuel tank.

CAT 390DLME EXCAVATOR SPECIFICATIONS

Engine Model	-	CAT C18ACERTTM (ATAAC)
Net Power - Iso 9249	-	523 hp
Approximate Weight	-	91260 kg (201194 lb)
Swing Speed	-	6.2 rpm
Swing Torque	-	191766 ft.lbf
Maximum Travel Speed	-	2.8 mph
Maximum Drawbar Pull	-	132637.25 lb
Maximum Digging Depth	-	38.74 ft
Maximum Depth Cut For 2240mm Level Bottom	-	38.41 ft
Maximum Reach At Ground	-	56.59 ft
Maximum Loading Height	-	35.92 ft
Minimum Loading Height	-	10.85 ft
Maximum Vertical Digging Depth	-	27.52 ft
Main System Maximum Flow	-	258.89 gal/min
Swing System Max Flow	-	121.52 gal/min
Maximum Pressure – Equipment	-	5076.3 psi
Maximum Pressure – Swing	-	3770.9 psi
Maximum Pressure – Travel	-	5076.3 psi
Pilot System Maximum Flow	-	23.78 gal/min
Pilot System Maximum Pressure	-	597.56 psi
Fuel Tank Capacity	-	327.57 gal
Cooling System	-	26.68 gal
Engine Oil	-	17.17 gal
Swing Drive Each	-	5.02 gal
Final Drive Each	-	5.55 gal
Hydraulic System Include Tank	-	262.85 gal



CAT 390DLME EXCAVATOR
