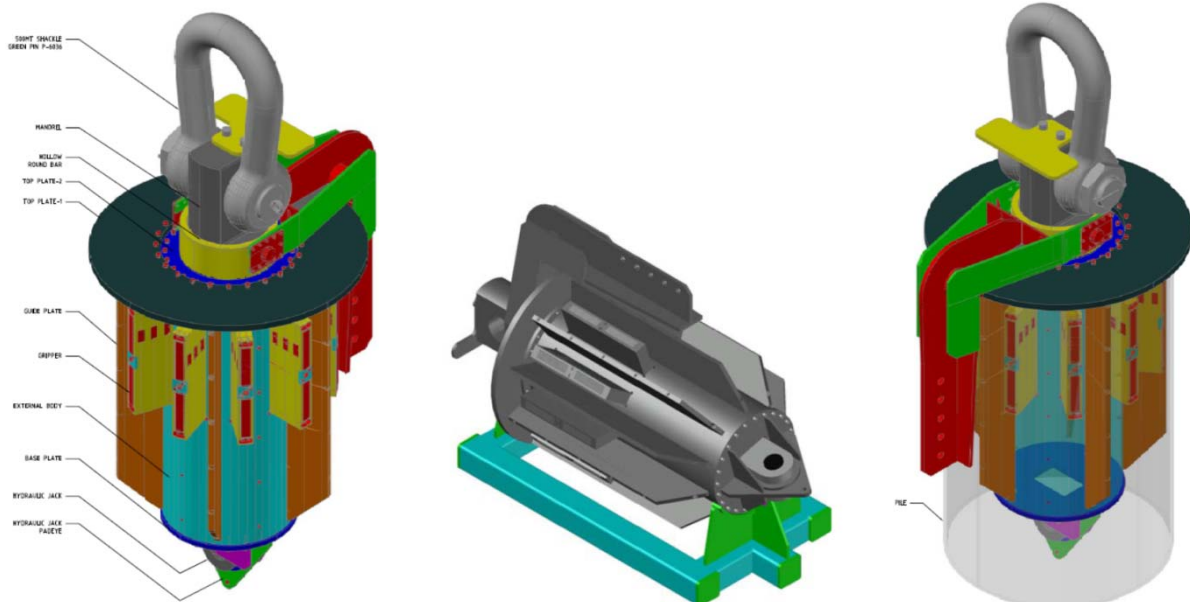


30"-54" Internal Lifting Tool

Usage: Lifting and unpeeling piles and pipe



TECHNICAL INFORMATION

Pile diameter range	30"-54"
Wall thickness range	12mm-60mm
Working load limit (WLL) vertically 30"-54"	500 T
Working load limit (WLL) horizontal 30"-54"	125 T
Clamping pressure	165 Bar
Connection	½" QC/QD coupling
Hydraulic fluid	Shell Tellus 68
Weight (for 36" configuration)	4,4 Tons

TECHNICAL INFORMATION

- Power pack with release/clamp function
- ½" hose with sufficient length

ADDITIONAL INFORMATION

- Fail safe principle: load is secured, even when hydraulic pressure fails