



OCS's submersible pumps are used for pipeline post trenching by water Jetting or other applications requiring high water volumes of water. During the post trenching operation the submersible pump supply high volume of water to the water distribution manifold from where large quantities of water will be supplied to the high pressure jetting pump and then to the water spooler for high pressure jetting operation.

OCS owned Fujico Submersible pumps are, electric driven high pressure pumping unit, which is used for pipeline precomm services. OCS's owns 2 units of Fujico Submersible pumps.

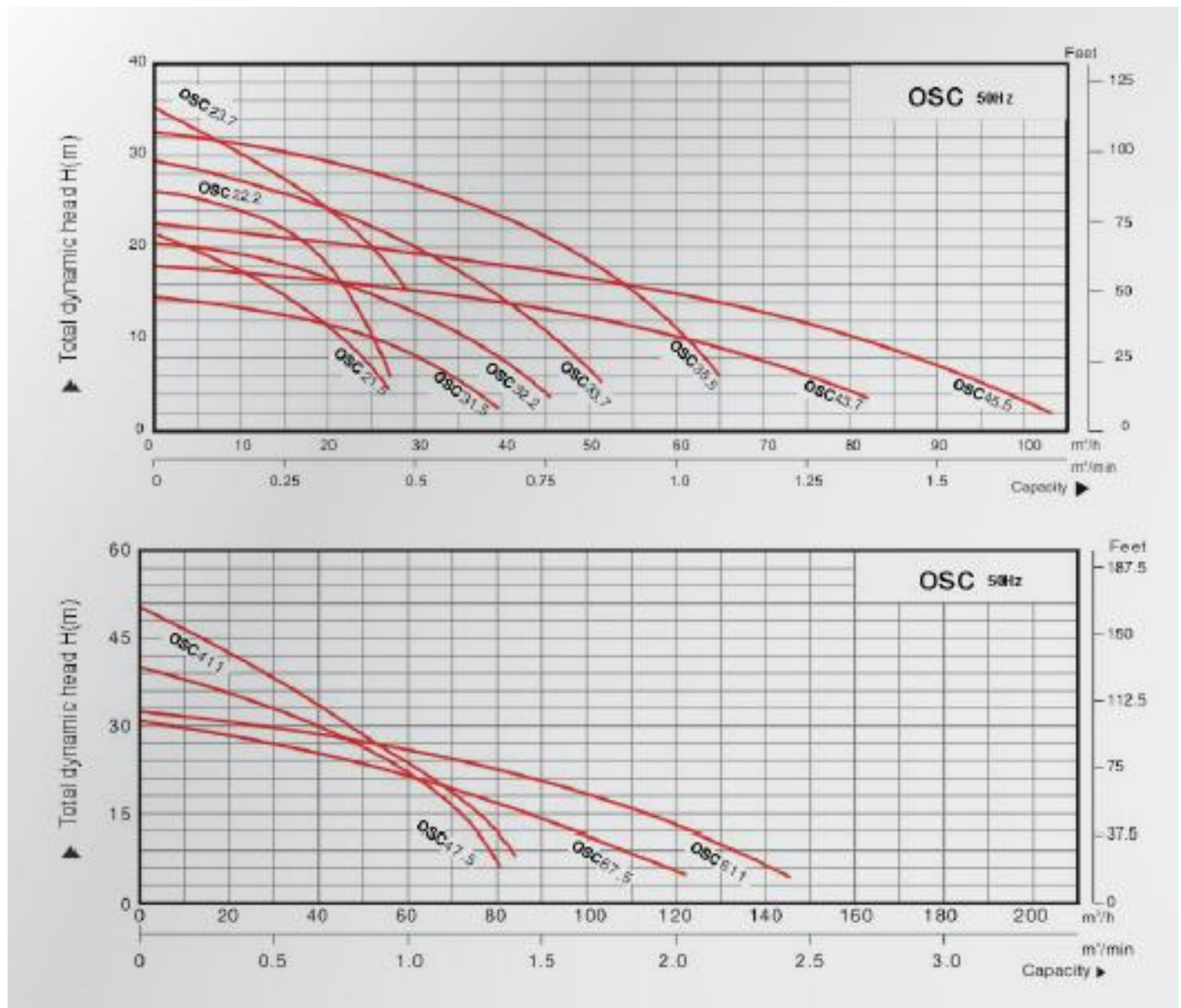
The specifications of Fujico Submersible pumps are as below:

Fujico Submersible Pump Specifications	
Model	Fujico – OSC 22.2-60
Flow Rating, m ³ /Hr (US gpm)	31(136), Head : 28m
Power, kW (HP)	2.2 (3)
Phase	3
Frequency, Hz	60
Voltage, V	440
Current, A	4.3
Numbers of pole	2
Skid framing	585 x 275 x 250 x 39kg
Number of units	2

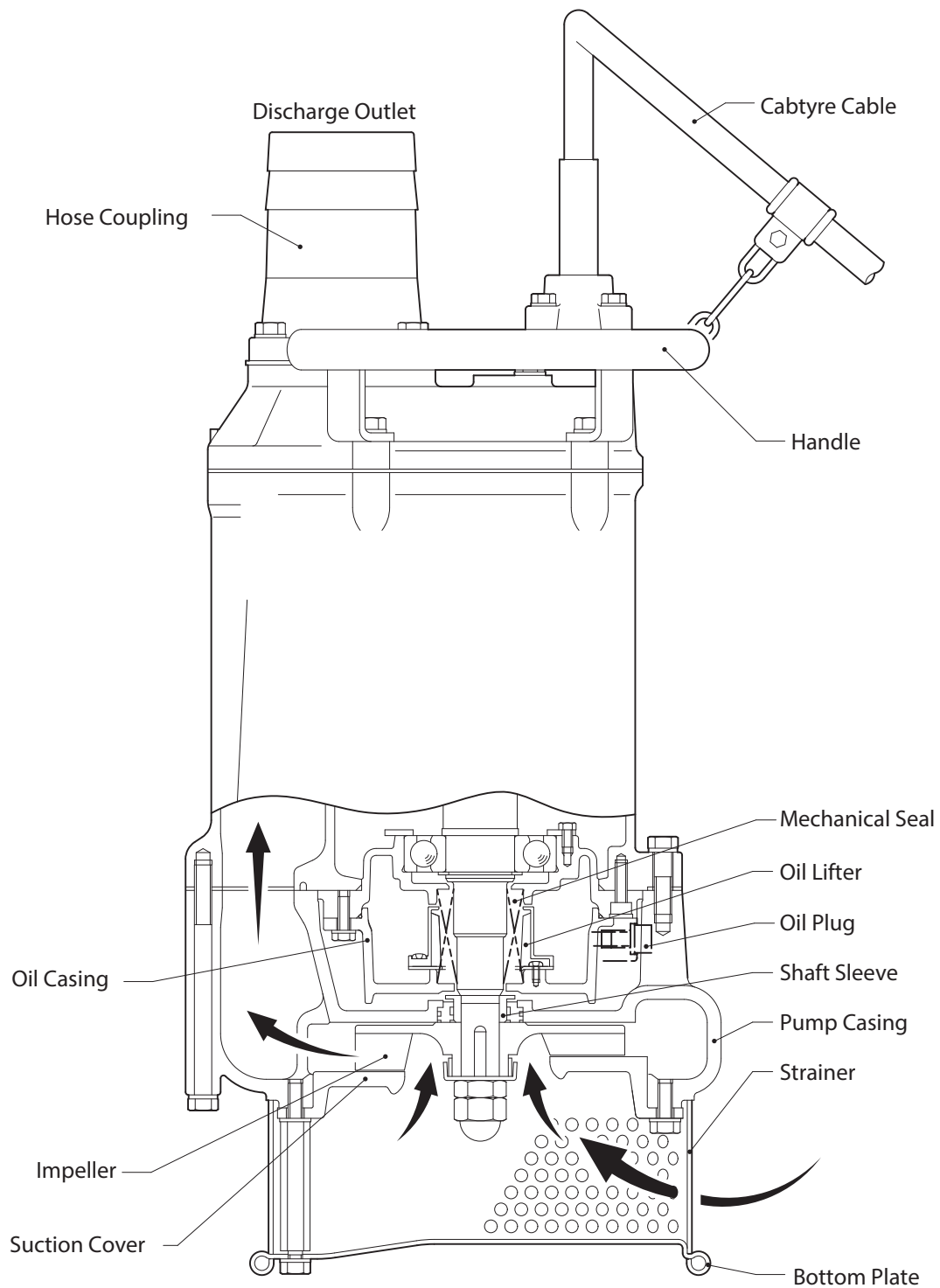
OCS has Equipment passports for individual Engines, Skids and Fluid Ends which must be reviewed before each project to assess the status. The equipment passport gives the working history, maintenance and certification history for Engines, Fluid Ends and Pump skids. It is important to regularly review the list of critical spare parts of the equipment before each project. Common problems occur in these units during the operation include the leakage through seals and damage of mechanical seals. The seals and O-rings have to be carefully inspected for any wear or scratches.

Where failures occur during operations Equipment bulletins will be issued to document the problem and the remediation solutions applied. The equipment bulletin will be circulated to all field engineers to be informed about the possible failure that can occur during the operation and thereby avoid future failure.

This equipment file remains a live document and will be constantly updated by the equipment department.



2 PUMP PART NAMES



Note: *This diagram shows the part layout of a typical OSC model. The external appearance and the internal construction may vary slightly, depending on your particular model.*